



Model MS-120 Type 1 Surge Protector

120 kA per Phase



MS-120
Single-Phase
General Purpose SPD

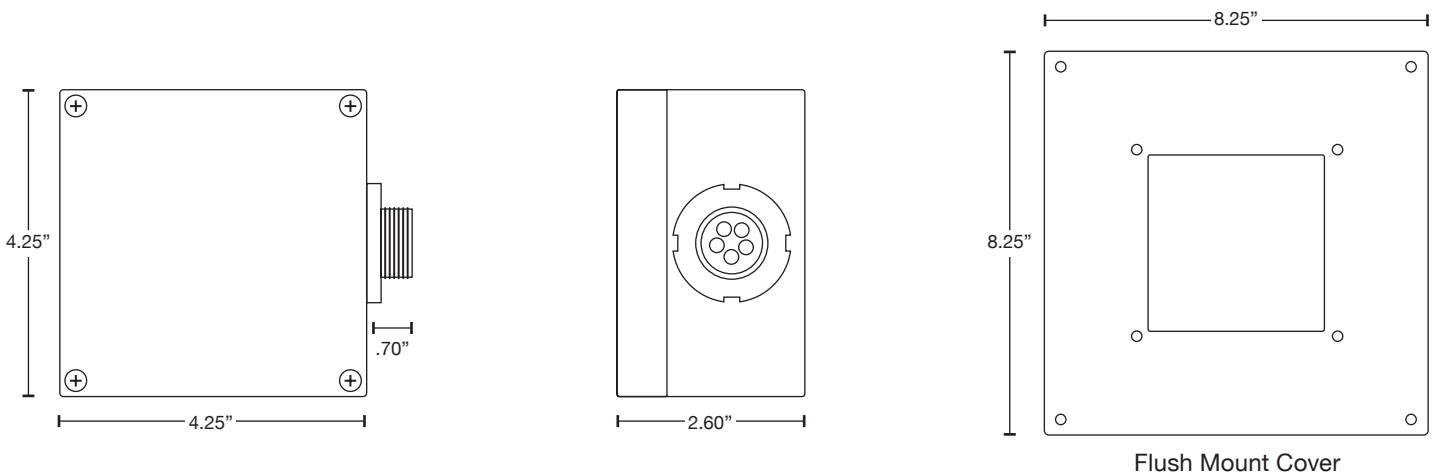
Features

- UL 1449 4th edition type 1 UL/cUL listed
- I_{max}: 120 kA per phase
- Thermally-fused metal oxide varistor suppression with added gas-tube technology
- LED indicator and audible alarm
- NEMA 4X (IP65/IP66) indoor/outdoor rated enclosure
- I_n: 20 kA
- EMI/RFI noise filtration
- Repositionable lid allows for label orientation
- Short circuit current rating (SCCR) 200 kAIC
- Lead length: 36" / #10 AWG
- Meets UL 96A lightning protection master label
- Lifetime warranty

Available Options

- Mounting bracket to allow installation inside of electrical panel
- Flush mount cover

Dimensions





Model MS-120 Type 1 Surge Protector

120 kA per Phase

Specifications

Description			MS-120
System Voltage		VAC	120/240
System Wiring			3W+G (Single Phase)
Maximum Operating Voltage	MCOV (V)	L-N	150
		N-G	150
		L-G	150
		L-L	300
Voltage Protection Rating	VPR (V)	L-N	800
		N-G	1,200
		L-G	800
		L-L	1,200
Operating Current	Ic		<10 mA
Follow Current	If		None
Maximum Leakage Current	Ipe		1 mA
Maximum Recommended Fuse if Any	Rating		200 A, Class J
Frequency	f		50/60/400 Hz
Nominal Discharge Current Per Mode	In (8/20 μ s)		20 kA
Maximum Discharge Current Per Phase	I _{max} (8/20 μ s)		120 kA
Short Circuit Current Rating	SCCR		200 kA
Standard's Compliance or Recognition			UL 1449 4th Edition Type 1 Listed, cUL Listed
EMI/RFI Filtering			1283 Electromagnetic Interference Filter (-40 dB)
Thermal Disconnecter			Internal to Each Component
Overload Disconnecter			Internal to Each Device
Failure Indicators			LED & Audible Alarm
Operating Temperature			-40 to +185°F (-40 to +85°C)
Housing-Enclosure Material			Cast Aluminum
Mounting Type			Nipple Mount
Environmental Rating			NEMA 4X, IP65, IP66
Installation Location			Indoor/Outdoor